



APPLICATION

SE-1 ATOM is a high-precision calculator designed to support various METERS and meet various wireless communication standards. Basically it measures heating and cooling energy. It can be used in heating or combined mode. In addition, it can be used as a device for leak detection or water quality measurement.

Since the IoT functions essential for a smart city are built-in, it can act as a gateway alone.

FEATURES

- Combined measuring heating/cooling option and other meter/ sensor
- Modular version: up to 4 communication interfaces freely combinable
- Bluetooth function support : It is equipped with a BLE security chip. Data inquiry and F/W update are easy.
- Gate way Function: LoRa to Wifi (OPTION)
- Various communication protocol support
M-BUS, NB-IoT, LoRa, LTE Cat. M1, communication is supported.
- Built-in program stability
Program stability and security were recognized through OIML D-31 certification.

GENERAL

SE-1 ATOM	
Application	Heating – cooling, other meters, sensor
Protection Class	IP67
Main power supply	100-240VAC 50/60Hz
Mounting Position	Any position
Temperature sensor type	Pt 100 3wires or Pt 500 with 2-wires
Standard interface	BLE
Wireless communication support	NB-IoT, LoRa, LTE Cat.M1, Local protocol
Data backup	Via SW-11 software & system

INTERFACES

SE-1 ATOM	
BLE 5.0	For communication and testing
Pressure	2 port
RS - 485	For MOD BUS (RTU), ETC
M-BUS	According to EN13757-3, two wires with non polarity
Pulse input	2 port For testing

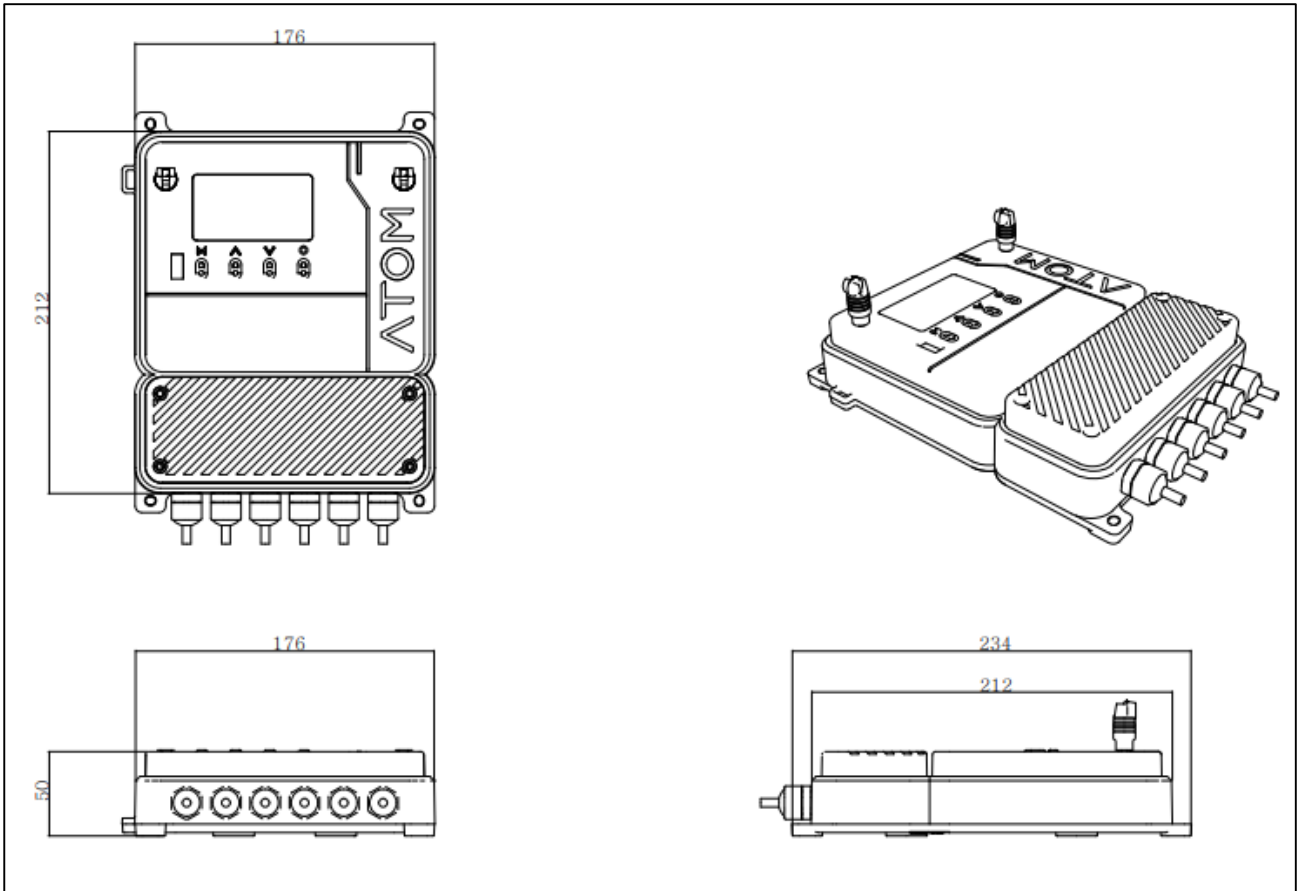
DISPLAY

SE-1 ATOM	
Display type	FSTN LCD
Display indication	Various markings are possible upon user request
Flow measurement display range	0.001 ~99999
Energy measurement display range	0.0001 ~99999
Units	GJ/h, MJ/h, Mkw/h, kW/h, °C, GJ, m ³ - m ³ /h, kpa, Mpa etc
Values displayed	Energy - Power - Volume Flow rate - Temperature and more

SE-1 ATOM

MULTI IOT CALCULATOR

DIMENSIONS IN MM



Office : #861, 815, Daewang Pangyo-ro, Sujeong-gu, Seongnam City, Gyeonggi-do,
13449, Republic of Korea
Phone : 82-31-715-8801 Fax : 82-31-5182-9299

Factory : 48-1, Dosin-ri, Saenggeuk-myeon, Eumseong-gun,
Chung cheong buk-do 369-841 Rep. of Korea
Phone : 82-43-881-3010 Fax : 82-43-881-3011

SMT
Beyond Efficiency